

# Inductive ring sensor

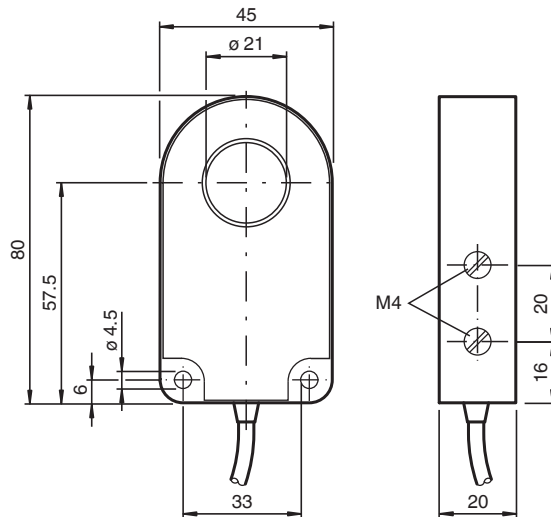
## RJ21-E2-0,1M-V1



- 21 mm inside diameter
- Comfort series



### Dimensions



### Technical Data

#### General specifications

Switching function	Normally open (NO)
Output type	PNP
Output polarity	DC
Inside diameter	21 mm
Measuring cylinder	
Diameter	6 mm
Length	12 mm
Output type	3-wire

#### Nominal ratings

Nominal voltage	$U_o$	8 V
Operating voltage	$U_B$	10 ... 30 V
Switching frequency	f	0 ... 1000 Hz
Reverse polarity protection		reverse polarity protected

Release date: 2022-06-21 Date of issue: 2022-06-21 Filename: 119771\_eng.pdf

Refer to "General Notes Relating to Pepperl+Fuchs Product Information".

Pepperl+Fuchs Group  
www.pepperl-fuchs.com

USA: +1 330 486 0001  
fa-info@us.pepperl-fuchs.com

Germany: +49 621 776 1111  
fa-info@de.pepperl-fuchs.com

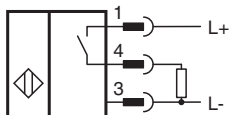
Singapore: +65 6779 9091  
fa-info@sg.pepperl-fuchs.com

 PEPPERL+FUCHS

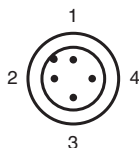
## Technical Data

Short-circuit protection		pulsing
Voltage drop	$U_d$	$\leq 3\text{ V}$
Operating current	$I_L$	0 ... 200 mA
No-load supply current	$I_0$	$\leq 20\text{ mA}$
<b>Compliance with standards and directives</b>		
Standard conformity		
Standards		EN 60947-5-2:2007 IEC 60947-5-2:2007
<b>Approvals and certificates</b>		
UL approval		cULus Listed, General Purpose
CSA approval		cCSAus Listed, General Purpose
<b>Ambient conditions</b>		
Ambient temperature		-25 ... 70 °C (-13 ... 158 °F)
<b>Mechanical specifications</b>		
Connection type		Cable connector M12 x 1 , 4-pin , PVC Cable, 100 mm
Core cross section		0.34 mm <sup>2</sup>
Housing material		PBT
Degree of protection		IP67

## Connection



## Connection Assignment



Wire colors in accordance with EN 60947-5-2

1	BN	(brown)
2	WH	(white)
3	BU	(blue)
4	BK	(black)

## Accessories

	<b>V1-W-2M-PUR</b>	Female cordset single-ended M12 angled A-coded, 4-pin, PUR cable grey
	<b>V1-G-2M-PUR</b>	Female cordset single-ended M12 straight A-coded, 4-pin, PUR cable grey

Release date: 2022-06-21 Date of issue: 2022-06-21 Filename: 119771\_eng.pdf

Refer to "General Notes Relating to Pepperl+Fuchs Product Information".